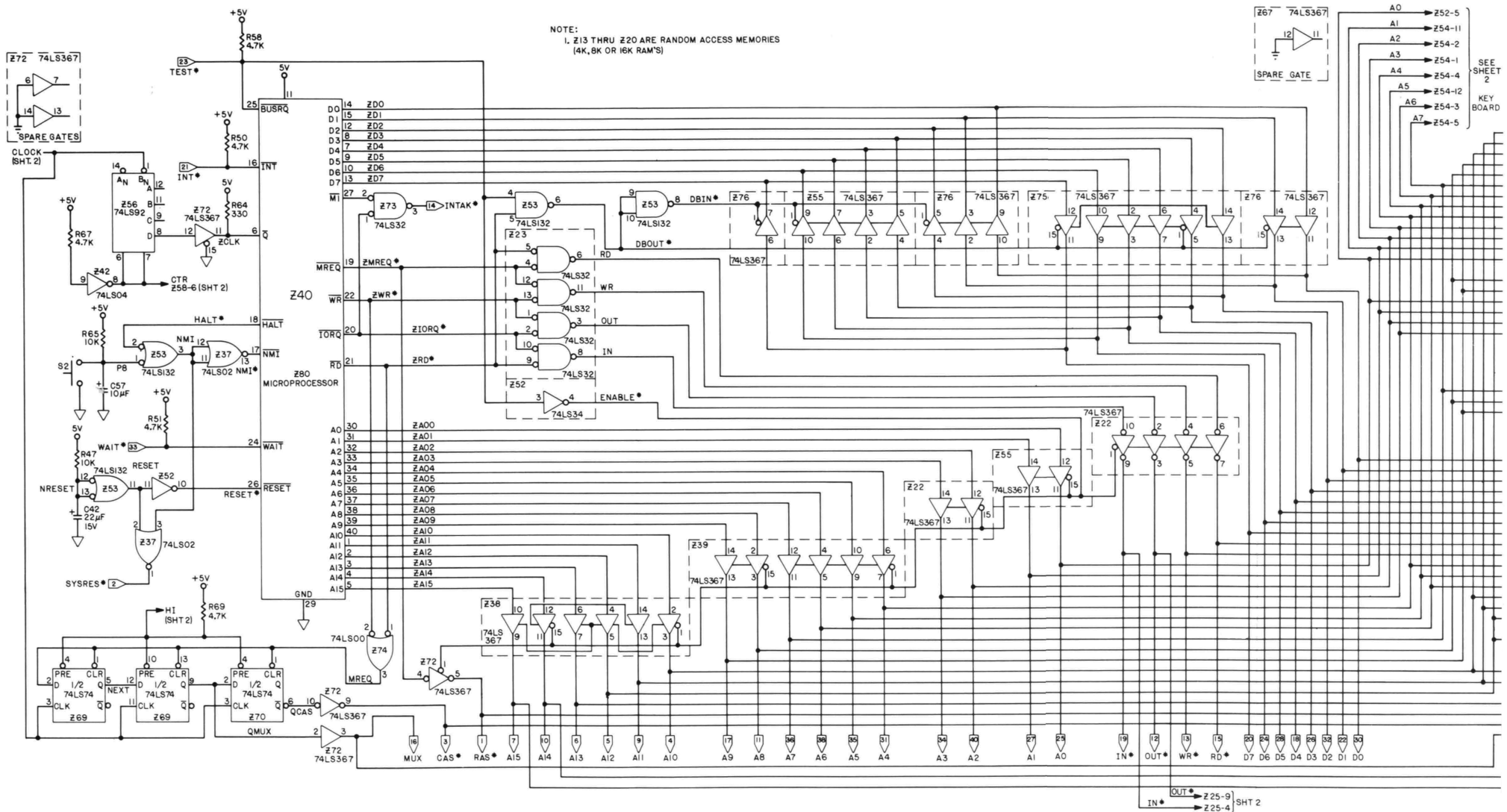
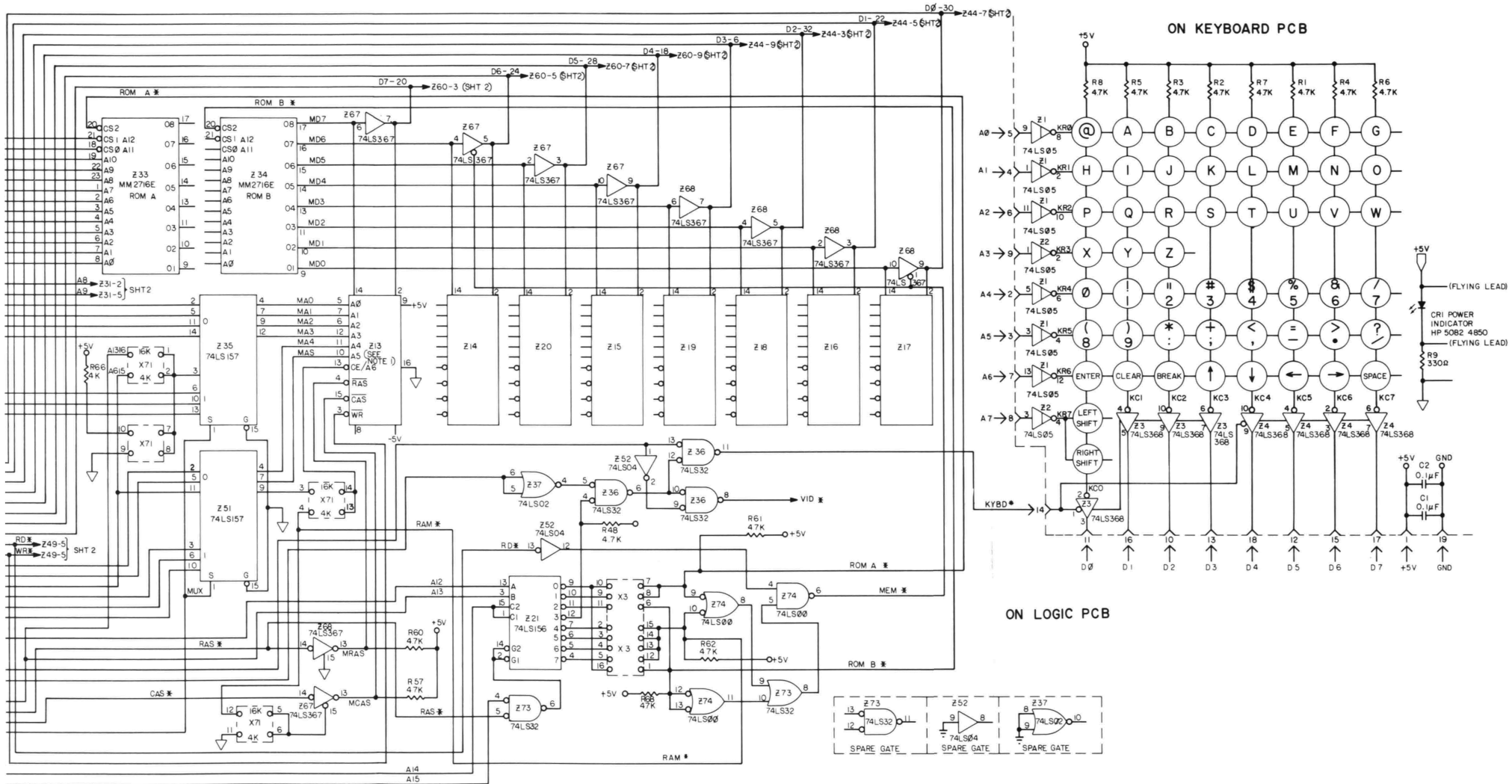


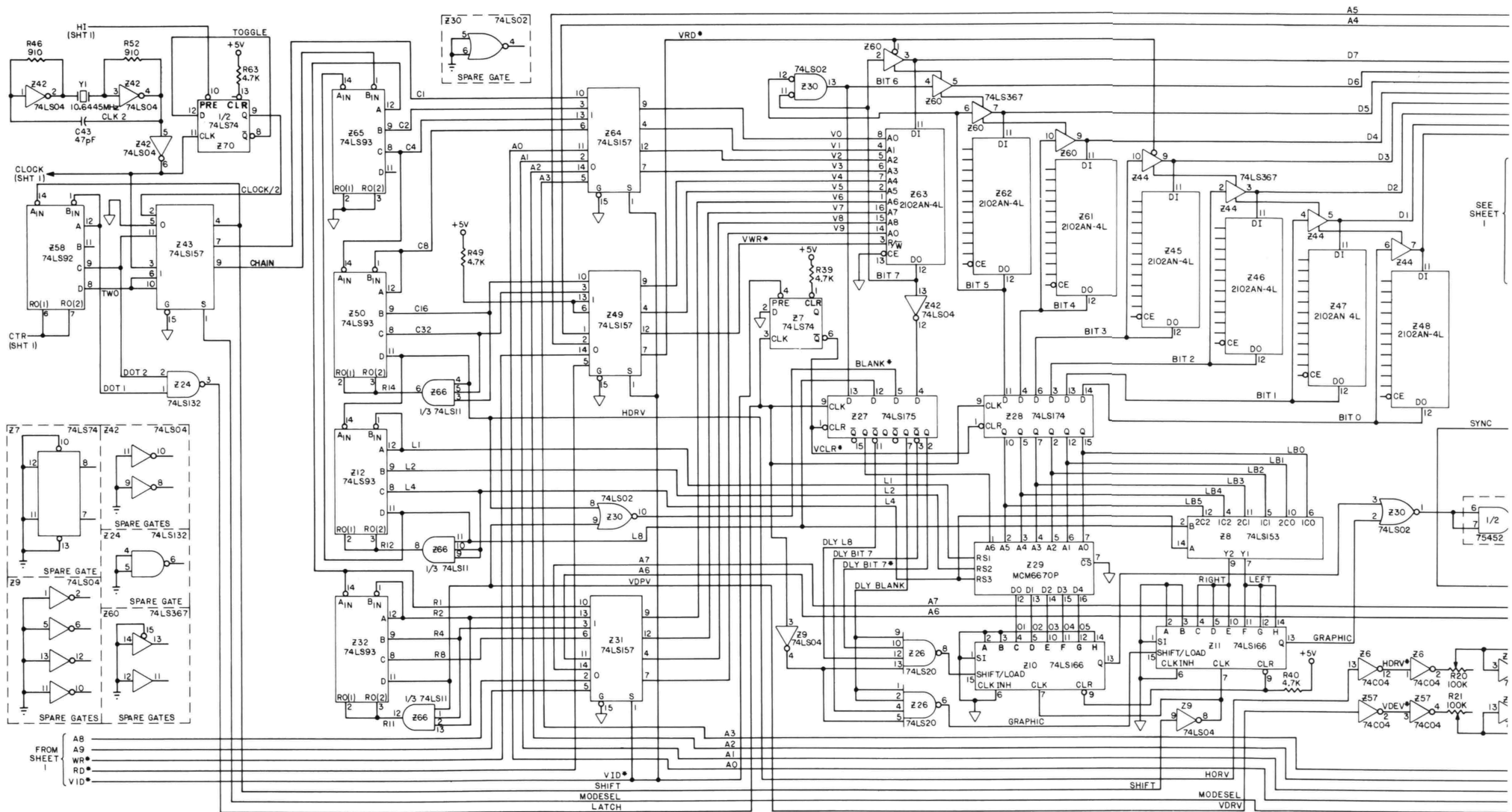
TRS-80 Main Keyboard Block Diagram



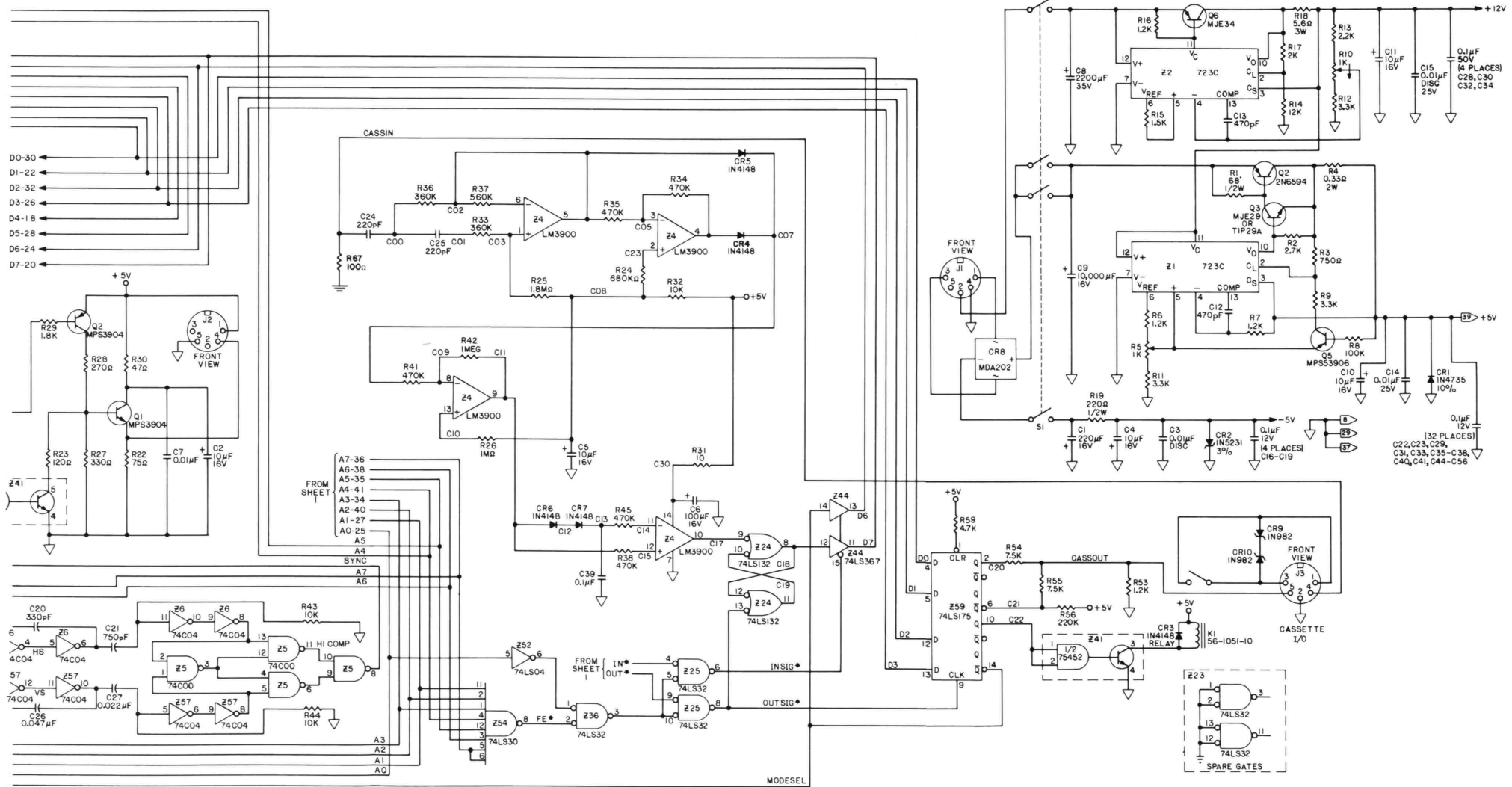
TRS-80 Main Keyboard Sheet 1 (Left)



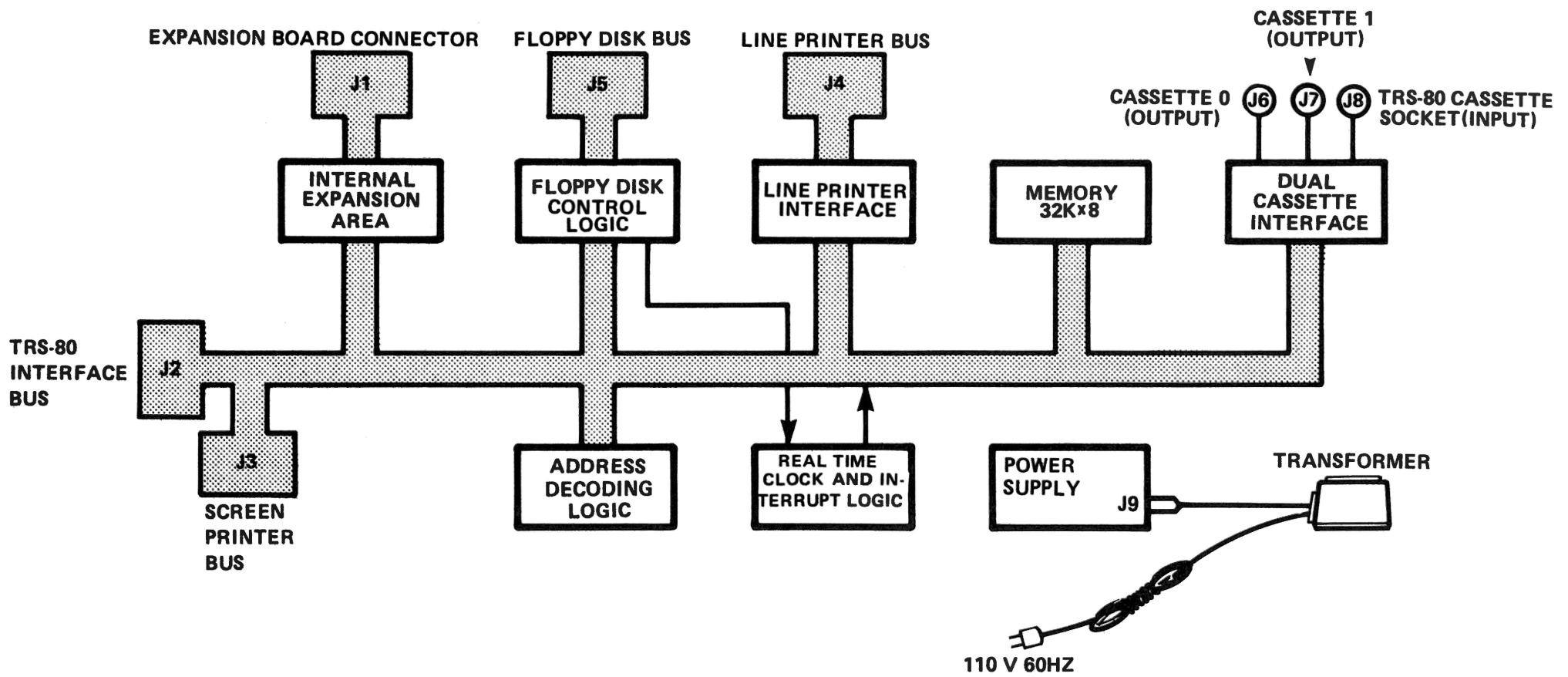
TRS-80 Main Keyboard Sheet 1 (Right)



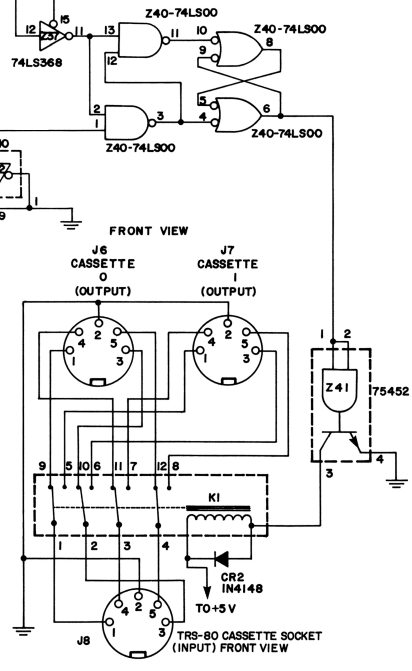
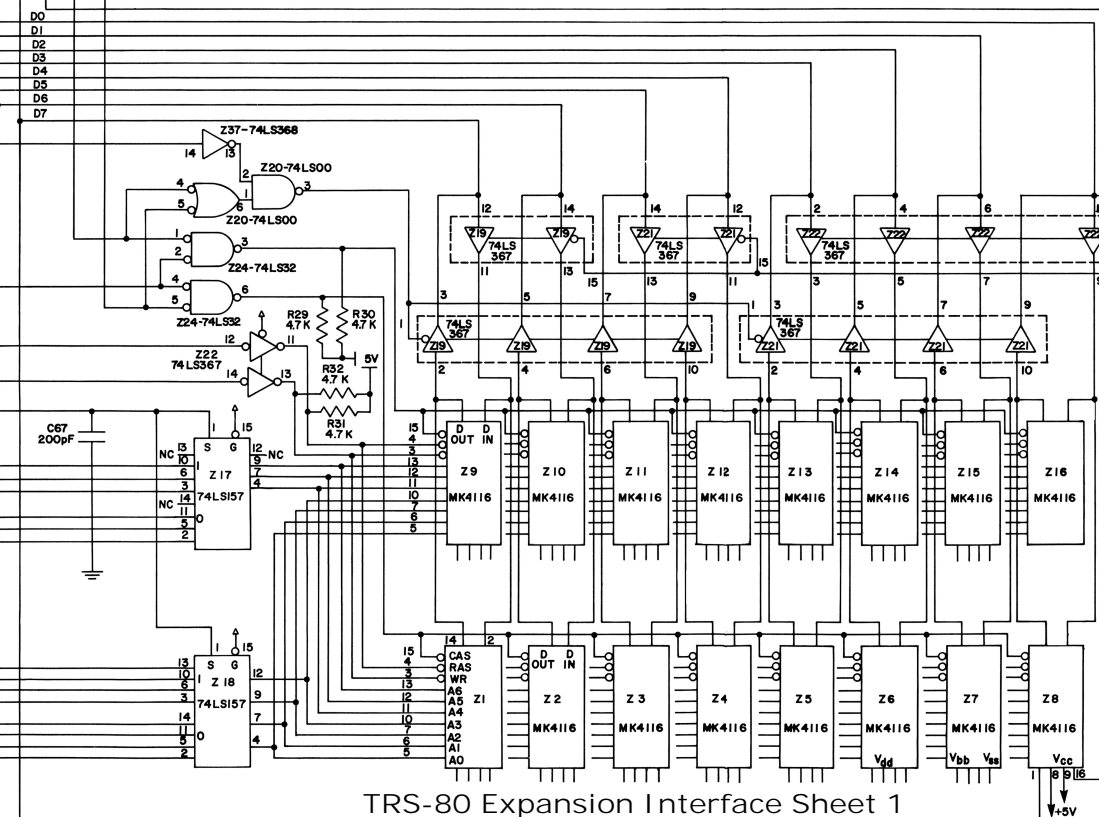
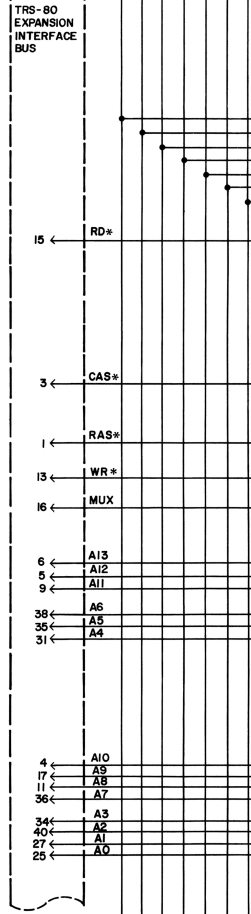
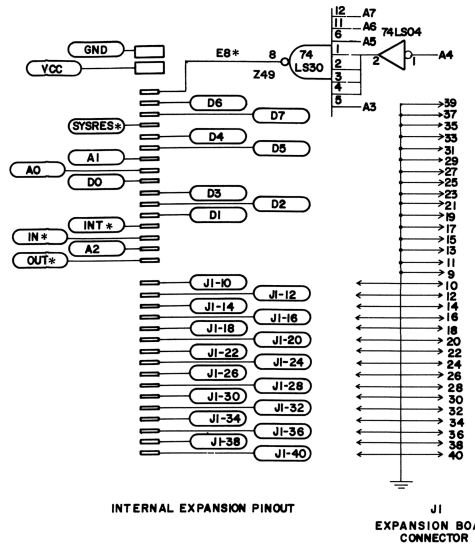
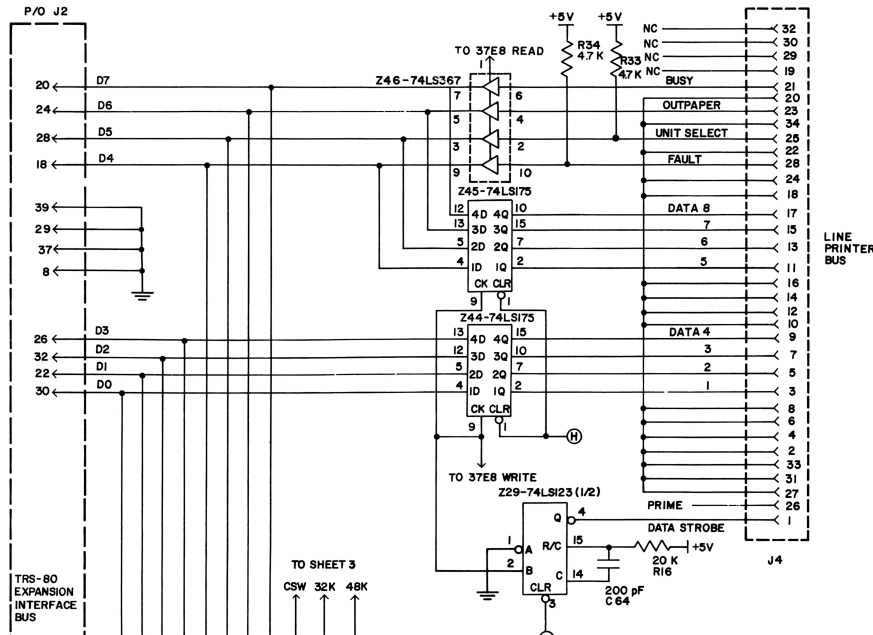
TRS-80 Main Keyboard Sheet 2 (Left)



TRS-80 Main Keyboard Sheet 2 (Right)

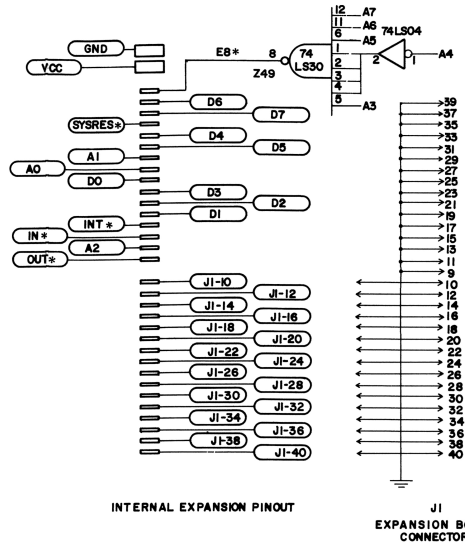
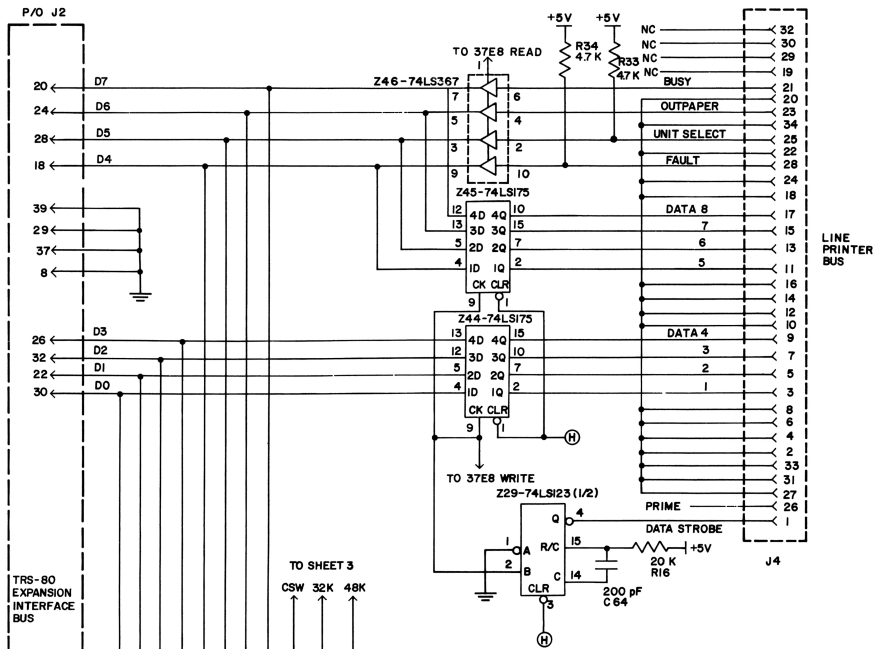


TRS-80 Expansion Interface Block Diagram



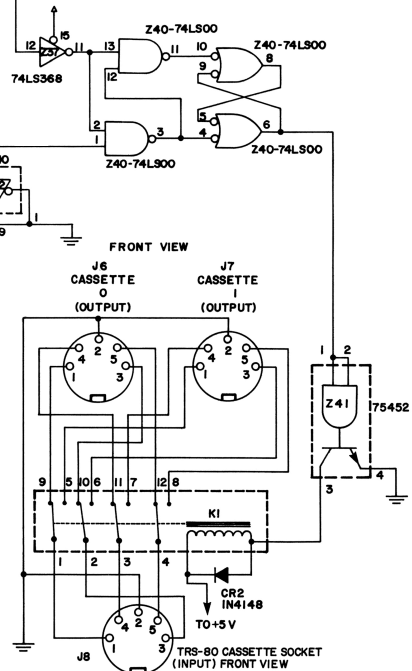
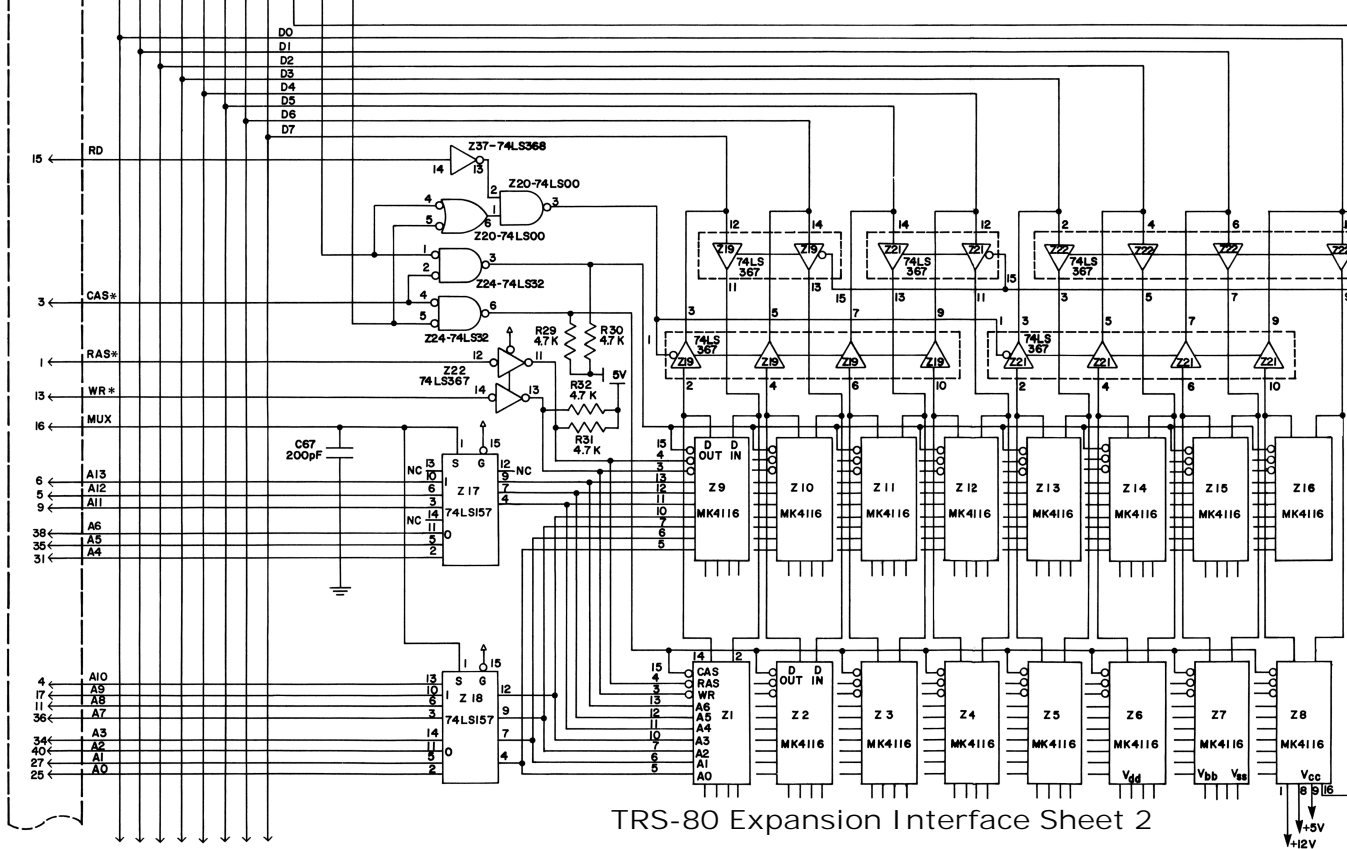
NOTES: UNLESS OTHERWISE INDICATED:
 1.) ALL CAPACITORS ARE IN PICOFARADS, 10% .
 2.) ALL RESISTORS ARE IN OHMS, 1/4 WATT, 10%. K=1000.
 3.) ALL RAMS(MK4116) ARE IN 16 PIN SOCKETS.
 4.) PINS 1,3,4,5,6,7,8,9,10,11,12,13 AND 16 OF ALL RAMS ARE TIED IN PARALLEL.
 5.) Ⓜ DENOTES LOGICAL LEVEL 1.

TRS-80 Expansion Interface Sheet 1



TRS-80 EXPANSION INTERFACE SERVICE MANUAL

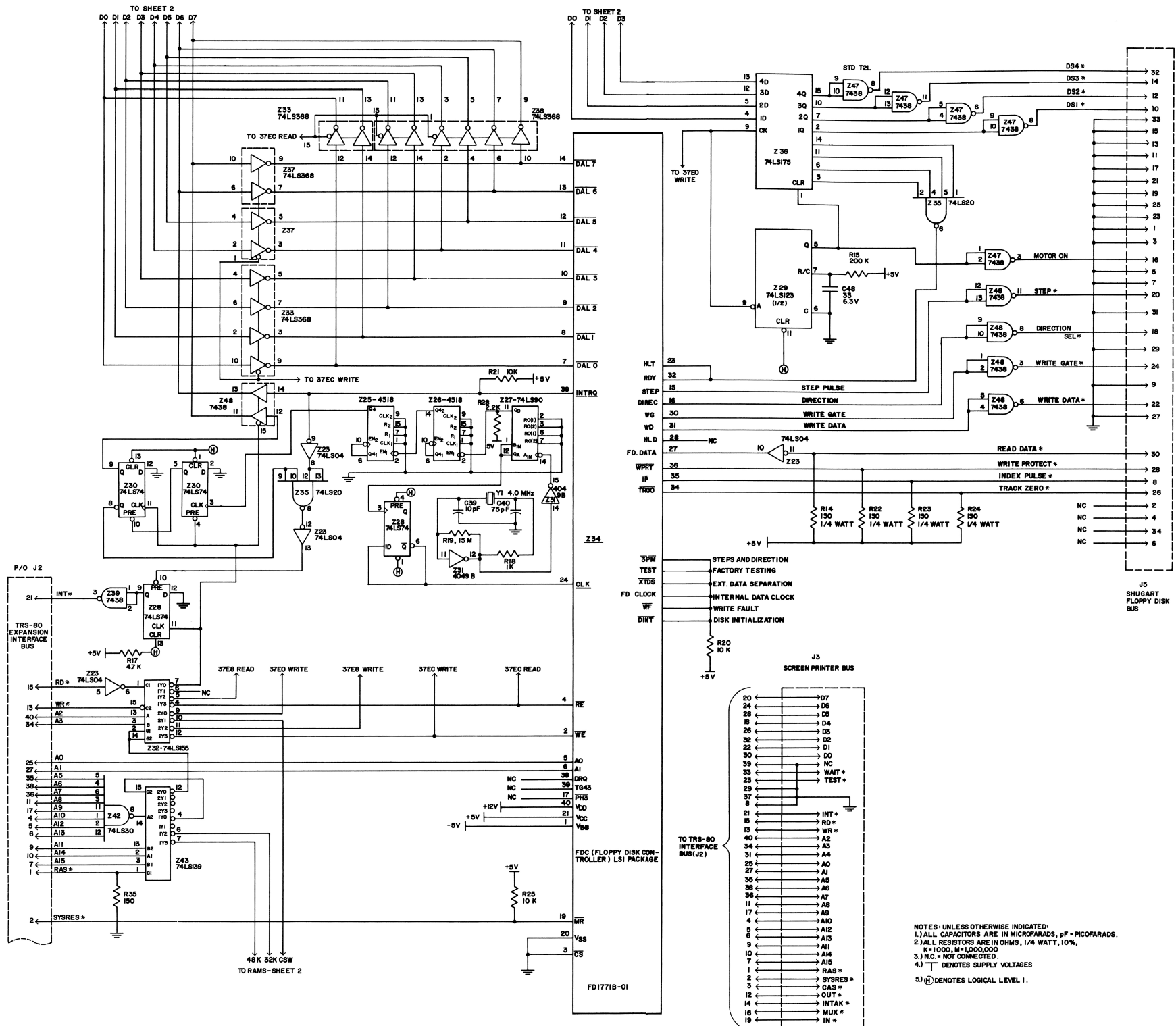
TRS-80 EXPANSION INTERFACE BUS



- NOTES: UNLESS OTHERWISE INDICATED:
 1.) ALL CAPACITORS ARE IN PICOFARADS, 10%.
 2.) ALL RESISTORS ARE IN OHMS, 1/4 WATT, 10% K=1000.
 3.) ALL RAMS(MK4116) ARE IN 16 PIN SOCKETS.
 4.) PINS 1,3,4,5,6,7,8,9,10,11,12,13 AND 16 OF ALL RAMS ARE TIED IN PARALLEL.
 5.) (H) DENOTES LOGICAL LEVEL 1.

TRS-80 Expansion Interface Sheet 2

DATA LINES DO-D7 TO SHEET 3



TRS-80 Expansion Interface Sheet 3

- NOTES: UNLESS OTHERWISE INDICATED:
 1.) ALL CAPACITORS ARE IN MICROFARADS, pF = PICOFARADS.
 2.) ALL RESISTORS ARE IN OHMS, 1/4 WATT, 10%,
 * = 1000, M = 1,000,000
 3.) N.C. = NOT CONNECTED.
 4.) ⊕ DENOTES SUPPLY VOLTAGES.
 5.) ⊕ DENOTES LOGICAL LEVEL 1.