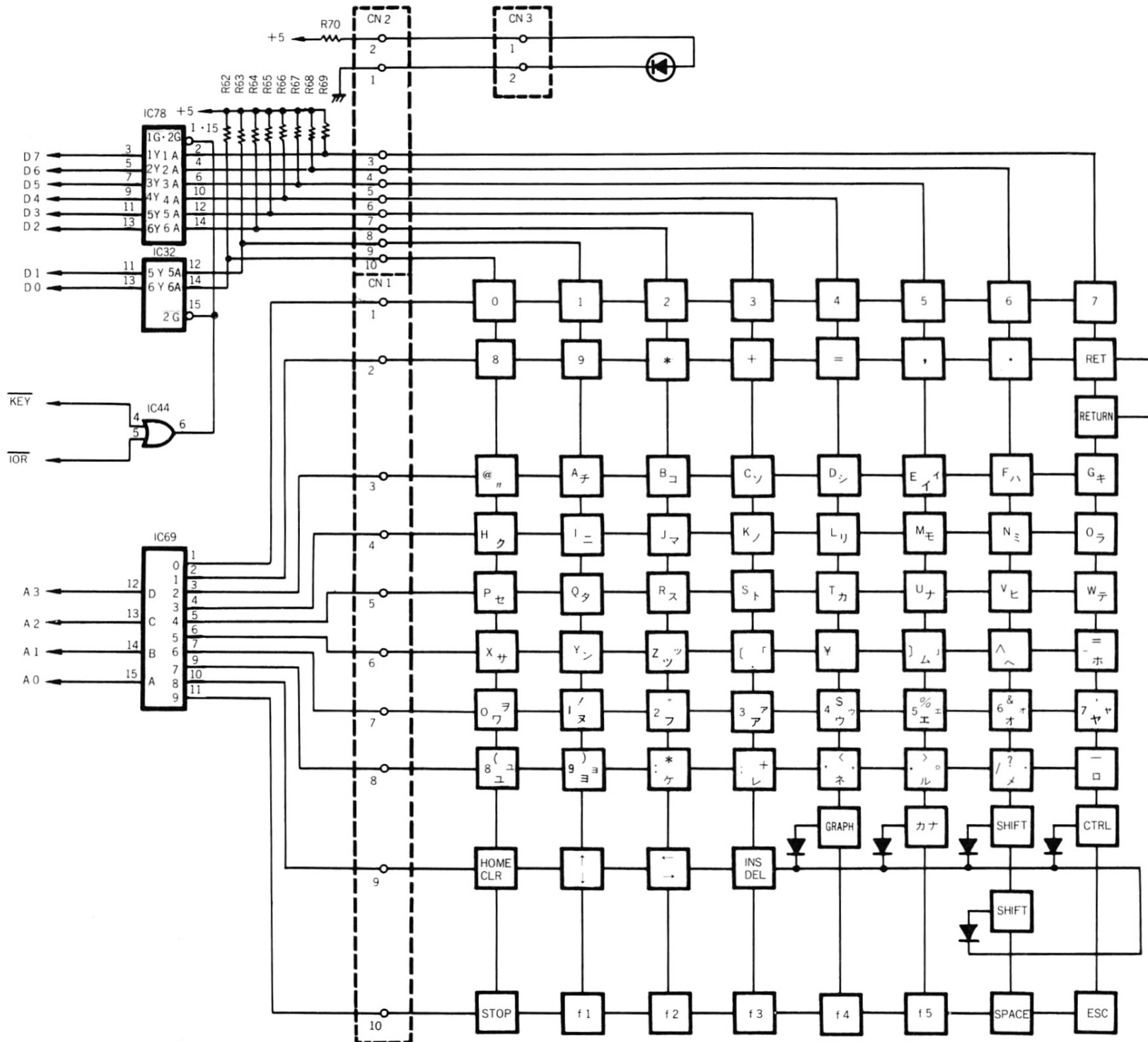
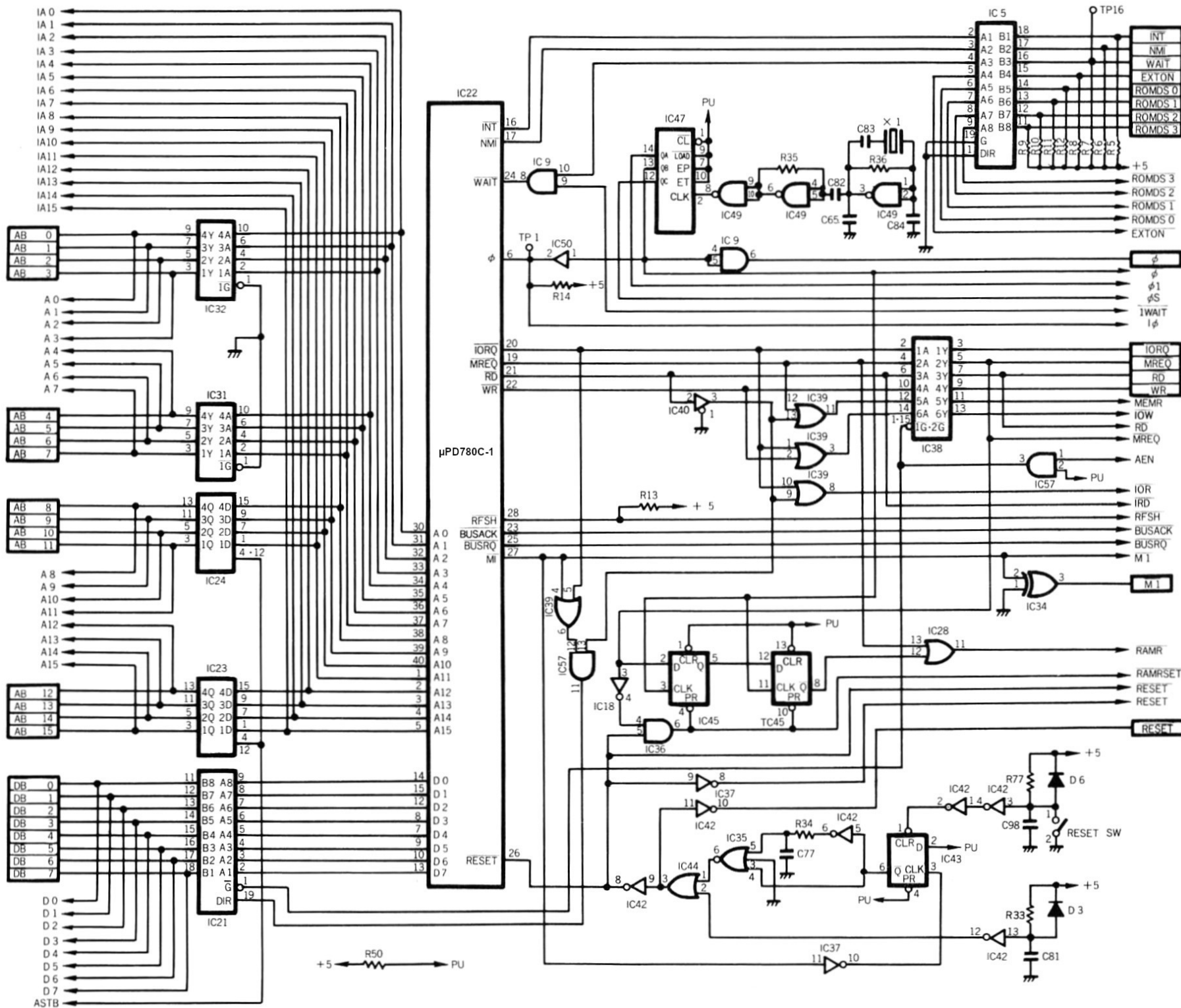
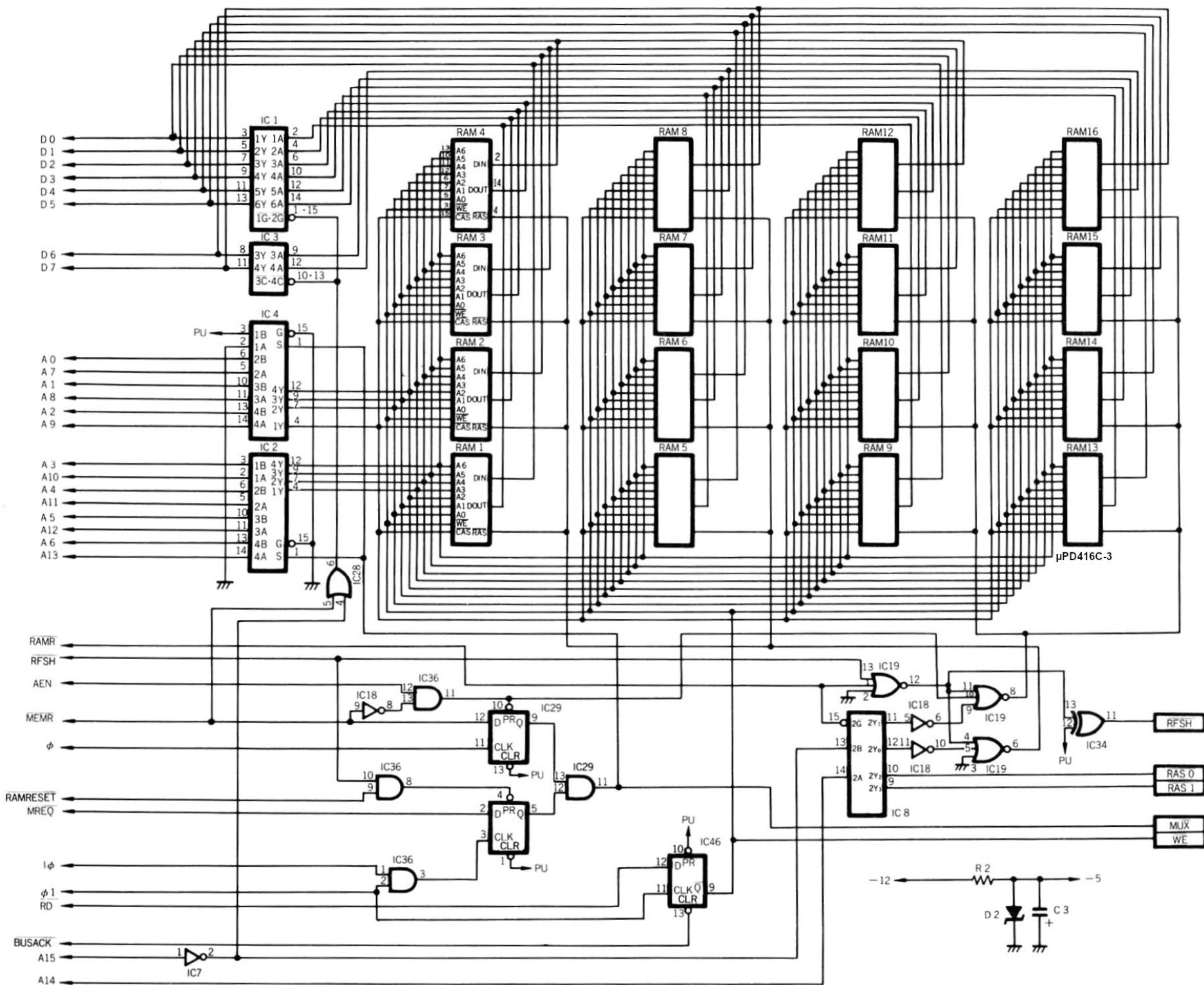
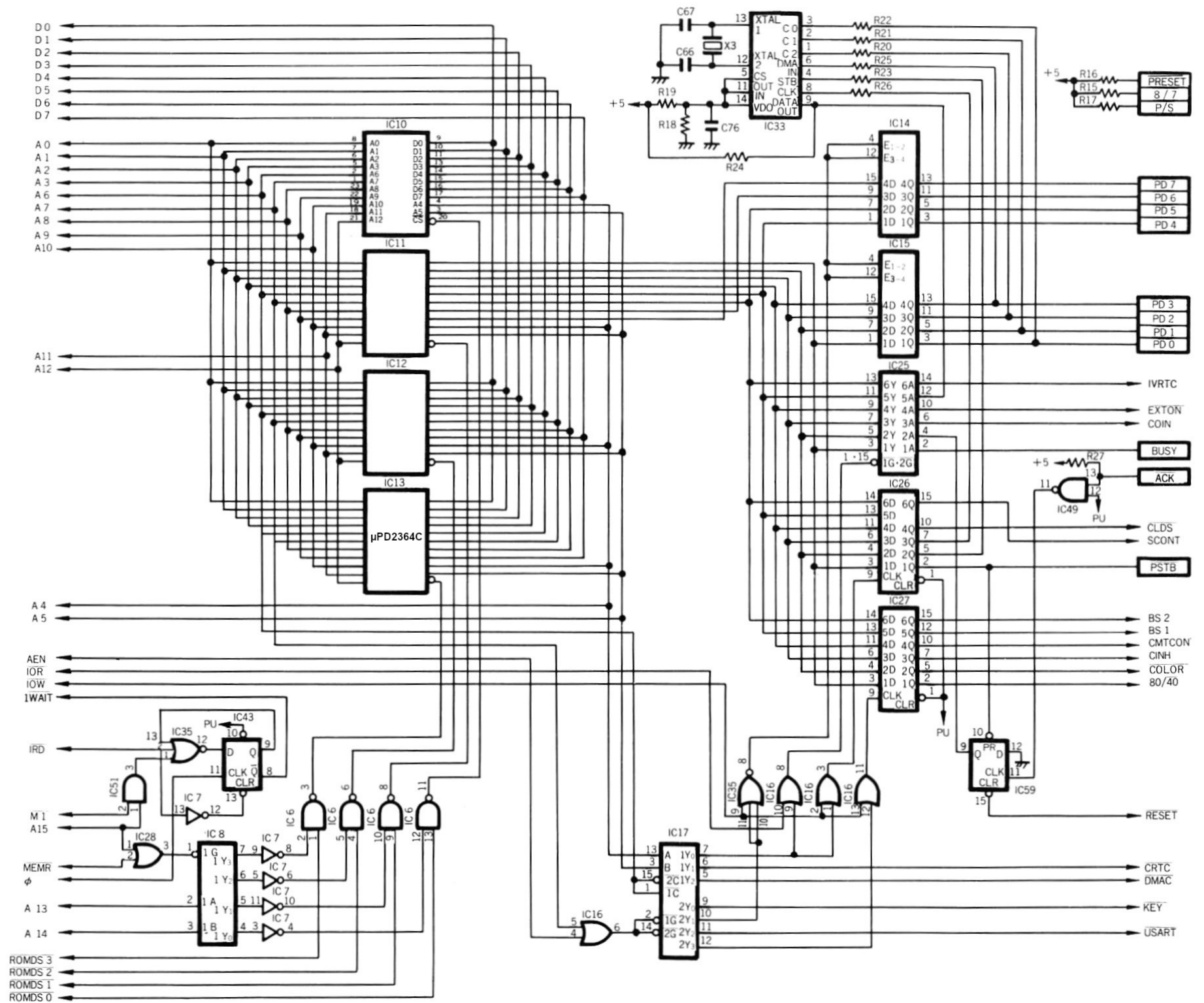


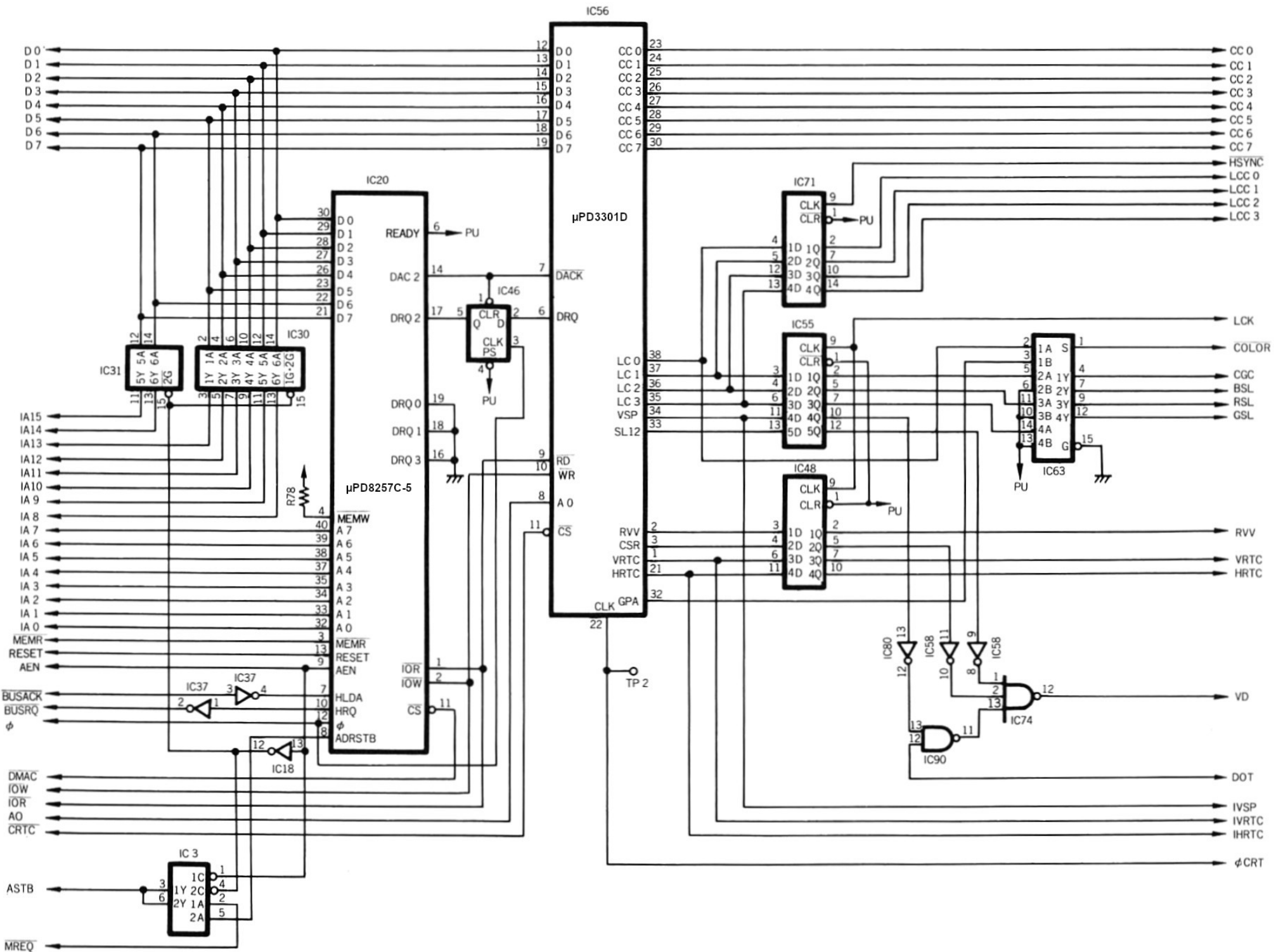
NEC PC8001 8 bit Personal Computer Schematics

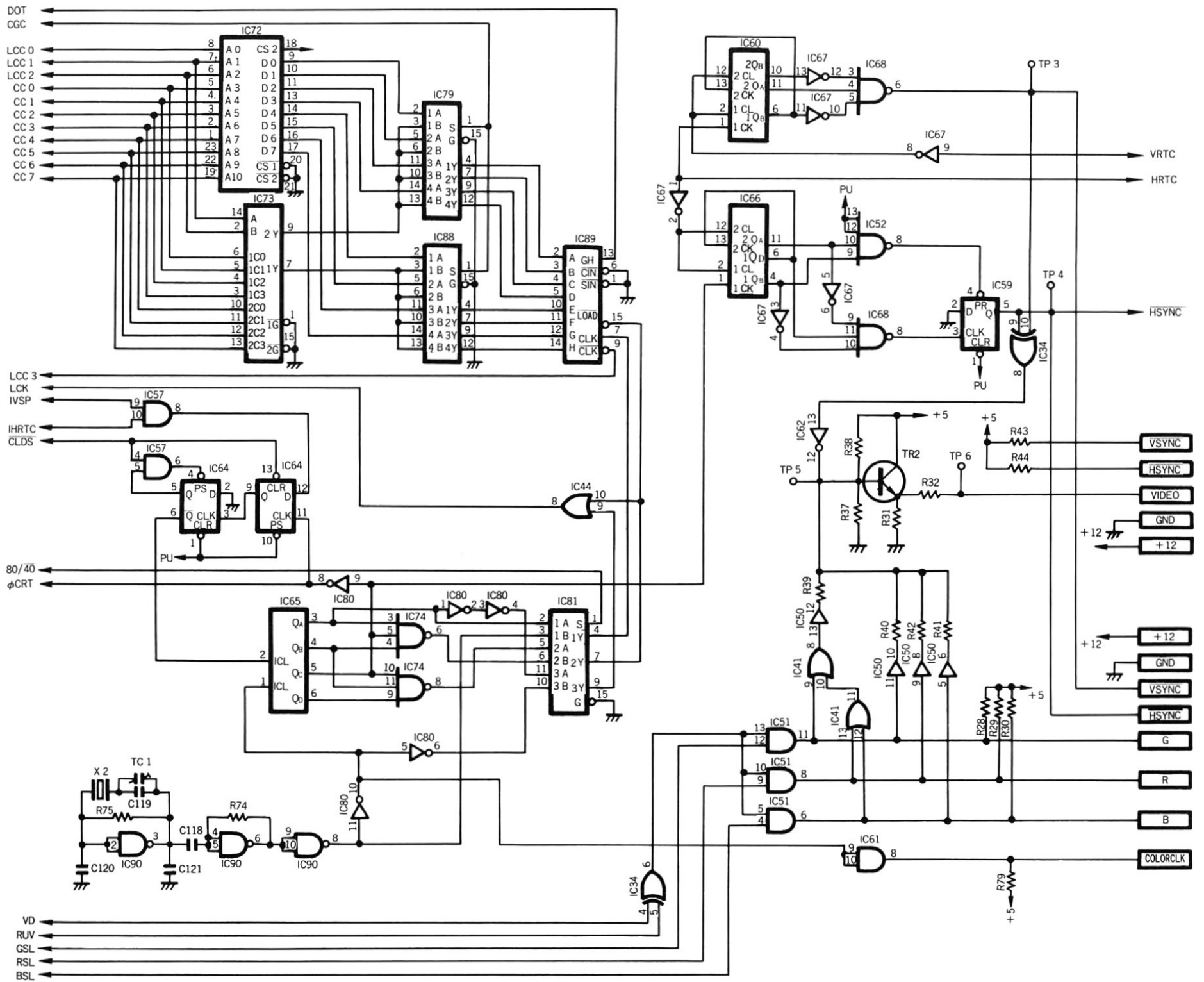


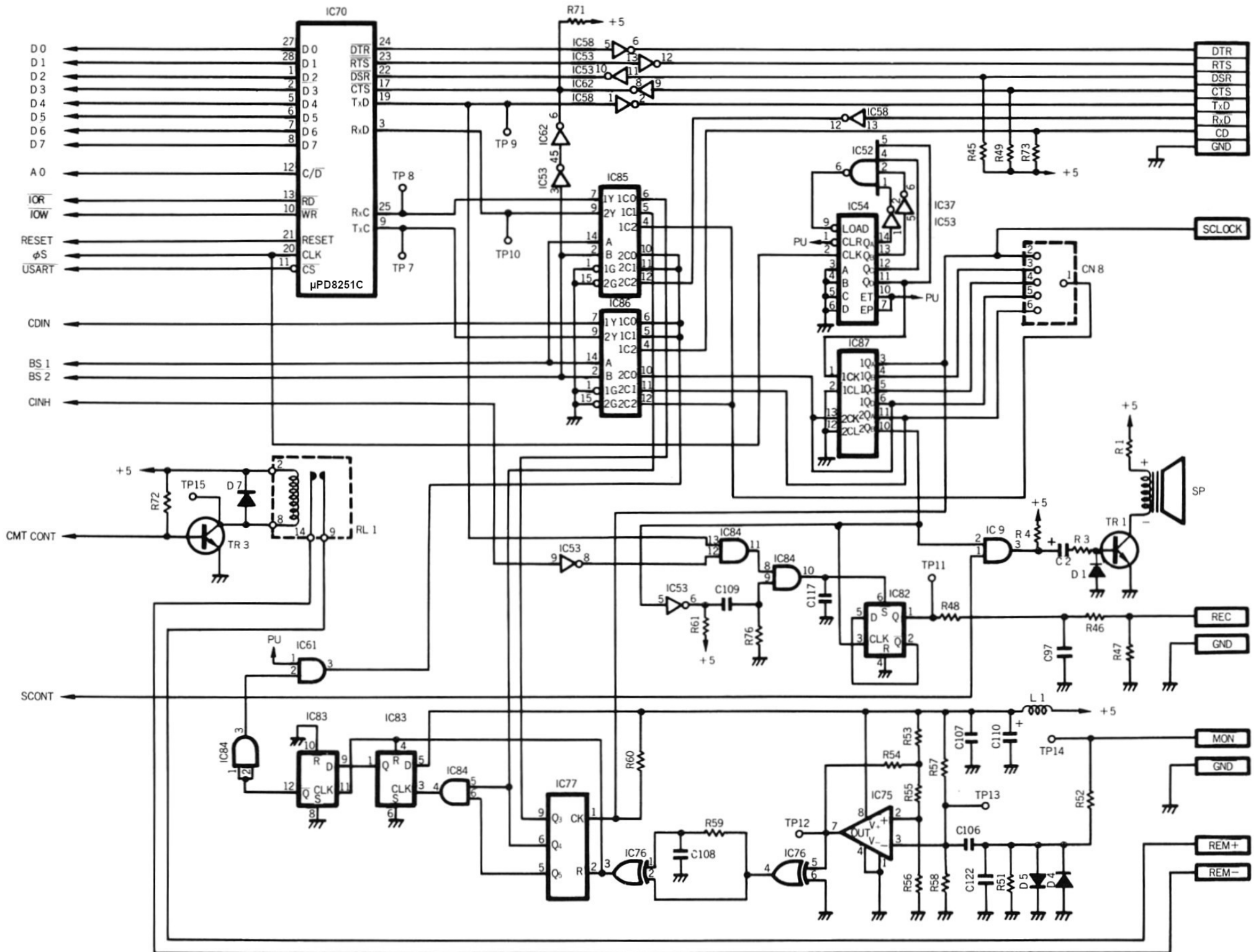












IC, ROM, etc.								RAM											
1	74LS367	21	74LS245	41	74LS32	61	74LS08	81	74LS157	1	μPD416C-3								
2	74157	22	μPD780C-1	42	74LS14	62	7406	82	μPD4013C	2		μPD416C-3							
3	74LS125	23	74LS375	43	74LS74	63	74LS157	83		3			μPD416C-3						
4	74157	24		44	74LS32	64	74LS74	84	μPD4081C	4				μPD416C-3					
5	74LS245	25	74LS367	45	74LS74	65	74LS393	85	74LS153	5					μPD416C-3				
6	74LS00	26	74LS174	46		66		86		6						μPD416C-3			
7	74LS04	27		47	74LS161	67	74LS04	87	74LS393	7							μPD416C-3		
8	74LS139	28	74LS32	48	74LS174	68	74LS10	88	74LS157	8								μPD416C-3	
9	74LS08	29	74LS74	49	74LS00	69	74LS145	89	74LS166	μPD416C-3									
10	μPD2364C	30	74LS367	50	7407	70	μPD8251C	90	74LS00										μPD416C-3
11		31		51	74LS08	71	74LS175	μPD416C-3											
12		32		52	74LS20	72	μPD2316EC		μPD416C-3										
13	33	μPD1990C	53	74LS04	73	74LS153	Diode				Transistor		μPD416C-3						
14	74LS375	34	74LS86	54	74LS161	74	74LS10				1	1S953		1					
15		35	74LS27	55	74LS174	75	μPC271C				2	RD5.1E		2	2SC945				
16	74LS32	36	74LS08	56	μPD3301D	76	μPD4030C				3	1S953		3		Crystal			
17	74LS155	37	74LS04	57	74LS08	77	μPD4024C				4			1S953			1		
18	74LS04	38	74LS367	58	74LS04	78	74LS367				5				1S953		2	14.31818 MHz	
19	74LS27	39	74LS32	59	74LS74	79	74LS157			6	1S953					3	32.768 KHz	Crystal	
20	μPD8257C-5	40	74LS125	60	74LS393	80	74LS04			7		1S953		3	32.768 KHz	Crystal			