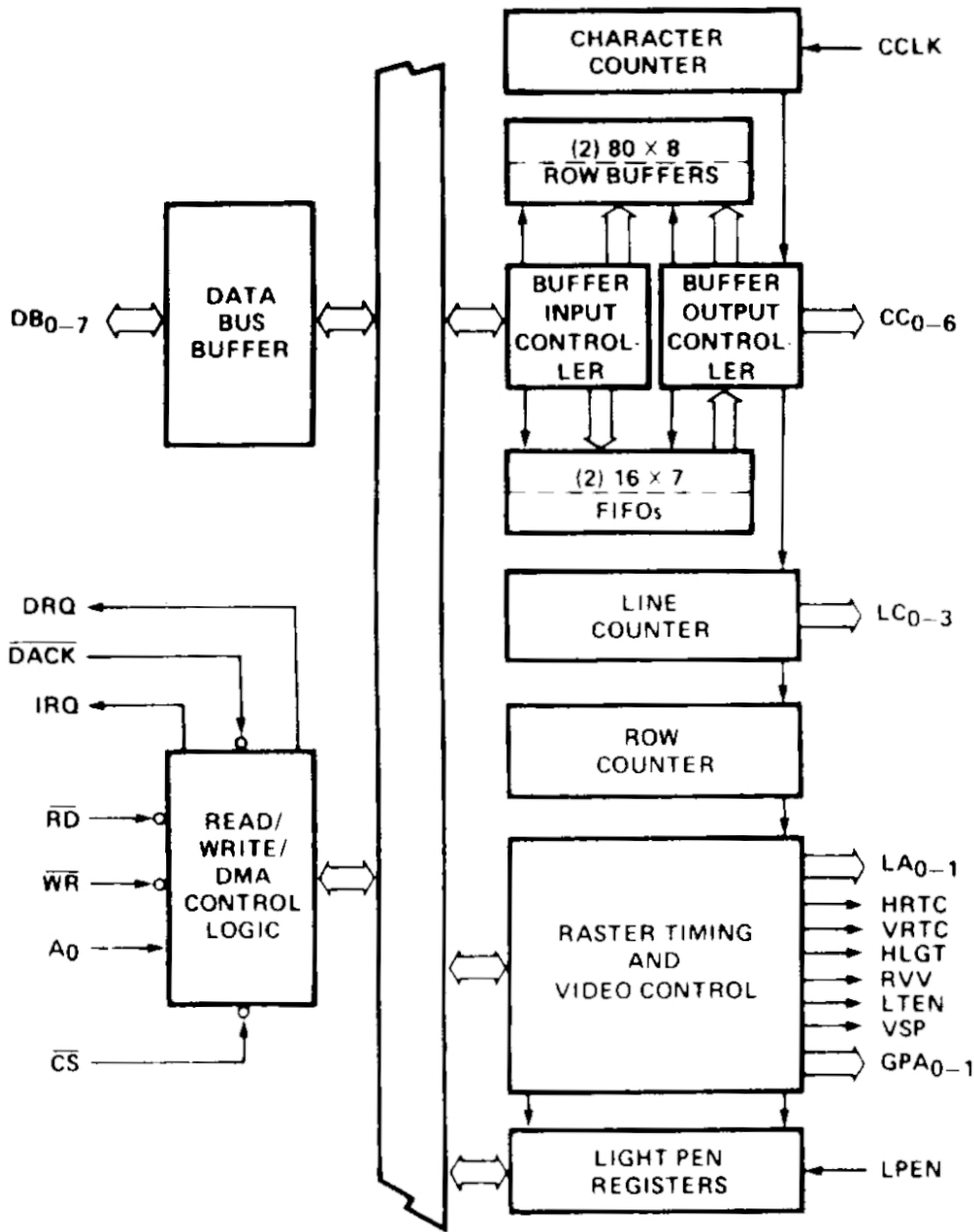
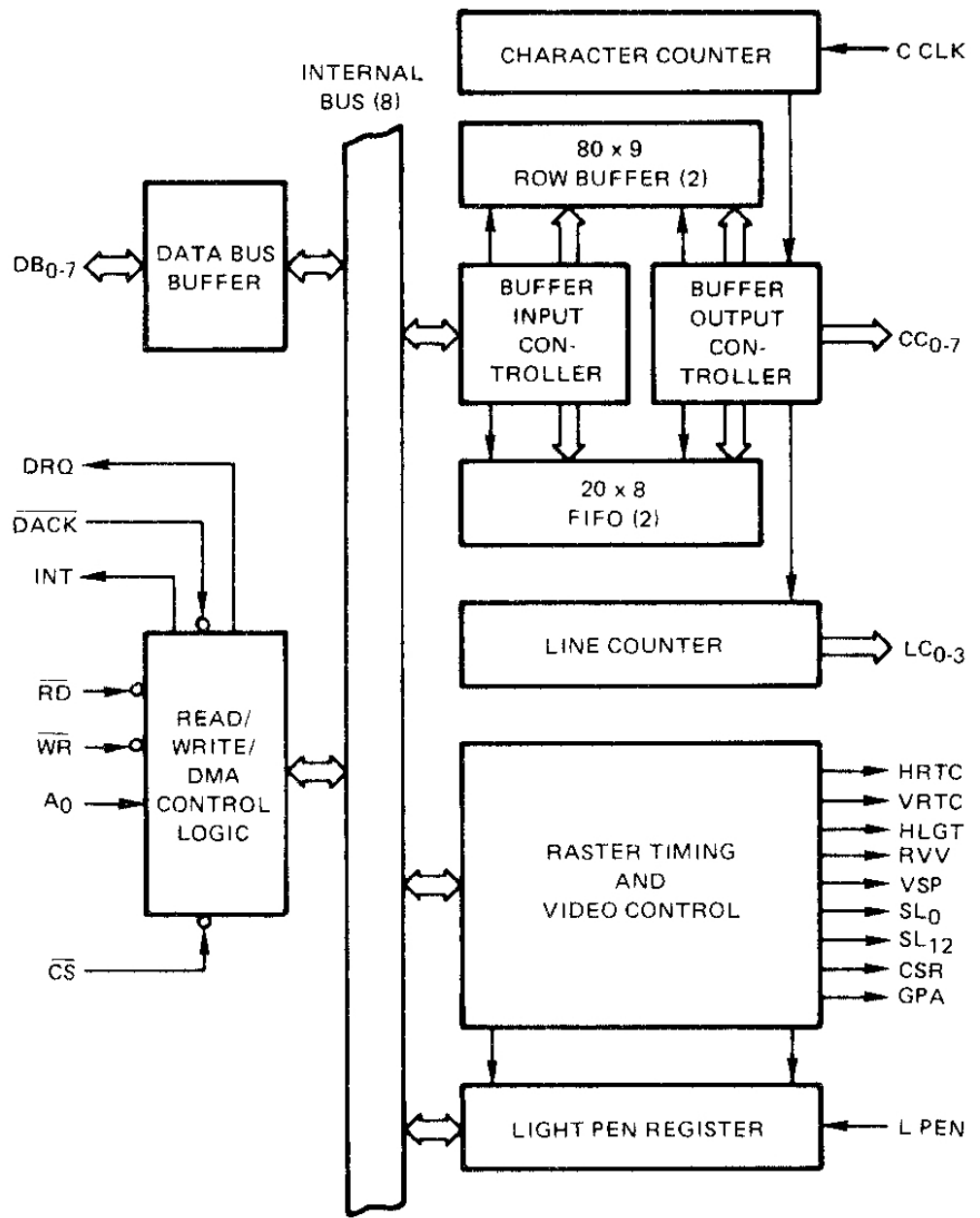


Intel 8275 vs NEC 3301 Comparison



Intel 8275 CRT Controller

FIFO size: 16 x 7 x 2
 Character Code (CC): 7 bits
 Row buffer size: 80 x 8



NEC 3301 CRT controller (Reverse engineering of Intel 8275)

FIFO size: 20 x 8 x 2
 Character Code (CC): 8 bits
 Row buffer size: 80 x 9