

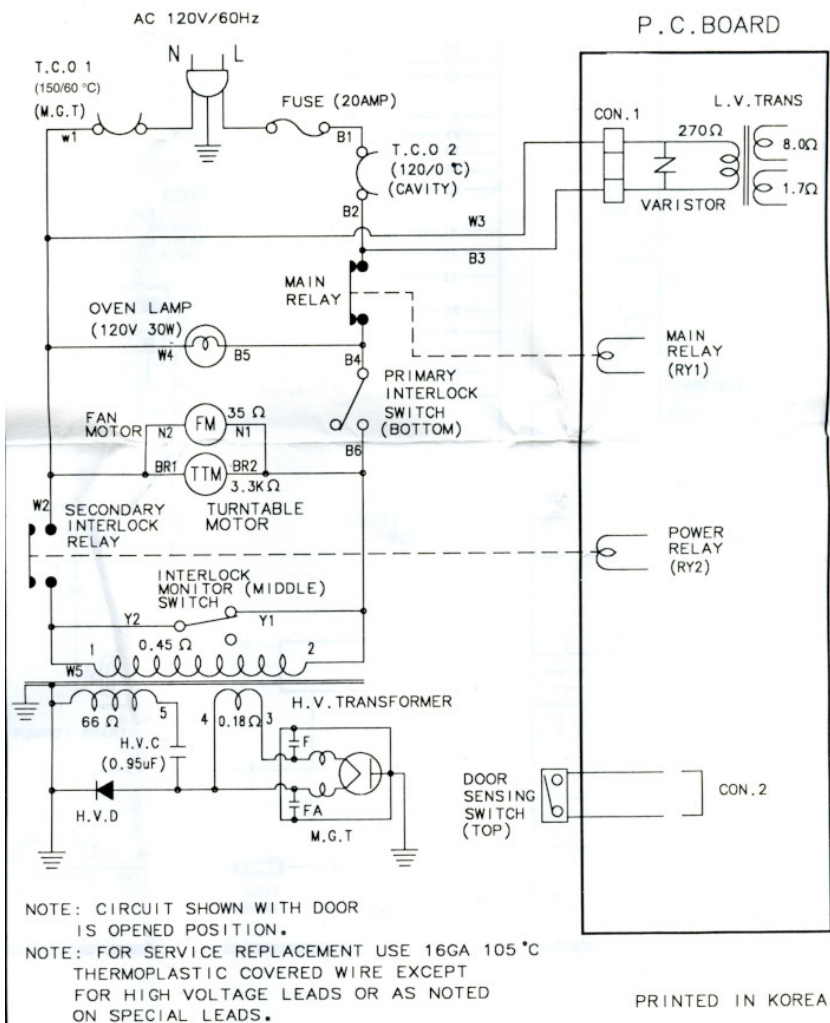
Microwave Repair

CODE NUMBER
74752-0058-00
MODEL NAME
JE1540, JE1530, JES1533
GE

SCHEMATIC DIAGRAM

WARNING

POWER MUST BE DISCONNECTED
BEFORE SERVICING THIS APPLIANCE



Schematic Diagram (Magnetron is shown as M.G.T here)



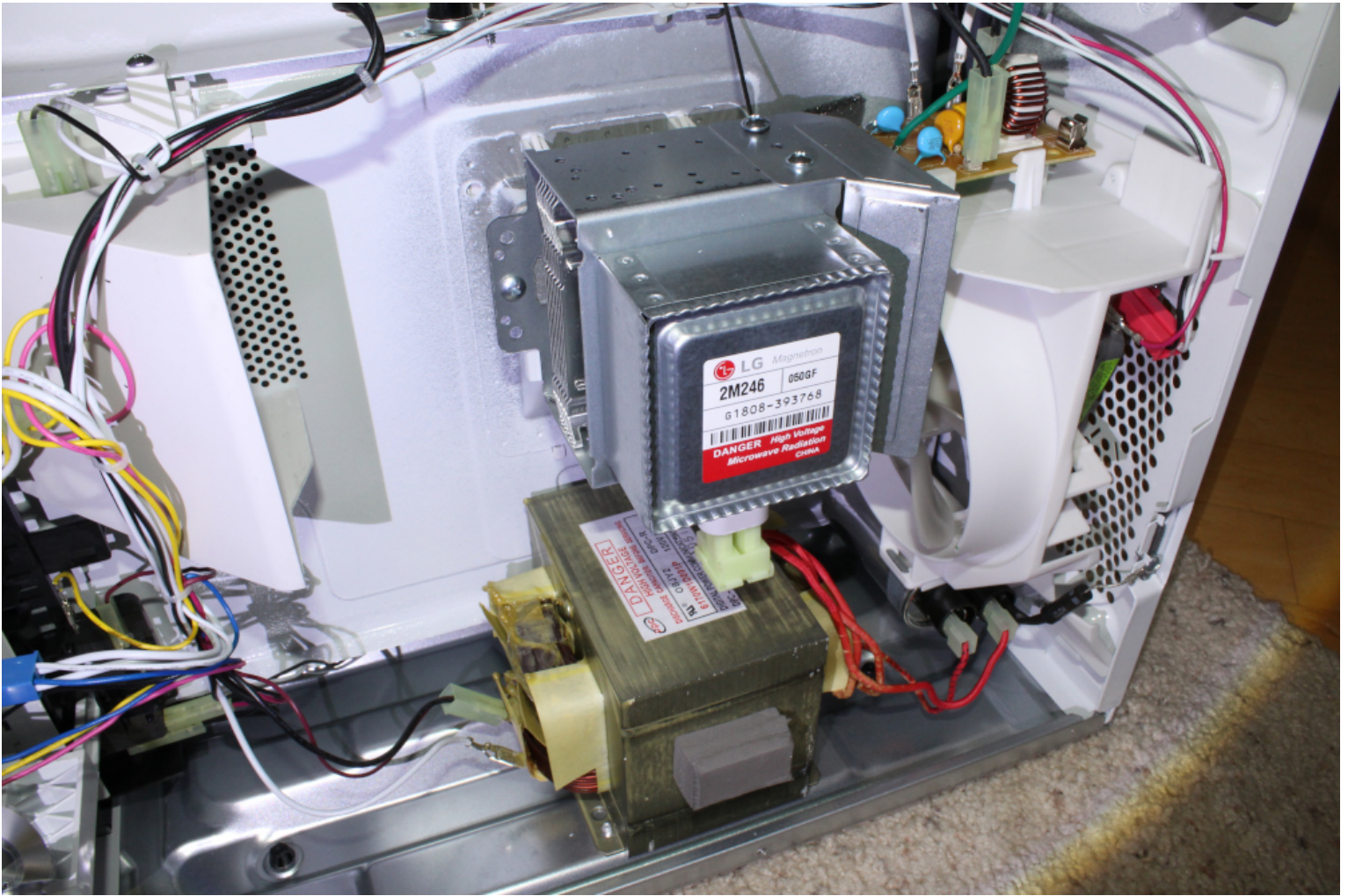
New & Old (Broken) Magnetron

Microwave stopped working all of a sudden.

Due to the magnetron which emits powerful UHF (Ultra High Frequency, usually 2.45GHz is applied for consumer microwave) electro-magnetic wave to jumble water particles in material targeted to be got heated is a sort of old-fashioned vacuum tube driven by directly heated filament, the lifetime is not eternal (definitely much shorter than semiconductor although high voltage semiconductor is hard to manufacture stably).

The microwave started working just after replacing the magnetron.

High voltage diode (shown as H.V.D on the schematic diagram above) is one of causes of the failure. But It is more durable than magnetron, because of semiconductor.



New Magnetron Assembled